

EURO-V®



HIGH VOLUME LOW SPEED

HVLS FAN

Large Energy Saving Fans

European High Quality Product

Natural Ventilation

In the usual ventilation plan, we often decide the number and product according to the ventilation times of the space, which is extremely obvious in the little space. You could even see the ventilation of the internal evaporation to drain out of the room with the operation of the fan of negative pressure. However, the ventilation in the sealed space is not so obvious. Some heavy air, smog, humid air and carbon dioxide accumulated in the bottom of the architecture, while the negative pressure fan does not work on the corner where human beings lie in. The super large energy-saving fan improves the mingling process of the whole air and brings out the air of the low quality so that the quality of the air in door could be improved and present a healthy, dry and safe working environment.

Balance the temperature in winter

In the large spaces in winter, it is difficult for the air conditioner to heat the air because the heated air would go up, which would caused the separation of the cold and the heated air. Therefore, the air would be accumulated on the top of the architecture. This would lead to the waste of large amount of heat and the temperature could not achieve to the expected temperature.

EURO-V large energy-saving fan could definitely solve this problem with only 1/2-2/3 speed on. The heat would be brought to the ground by Eurovent FAN and mixed well so that the separation would be eliminated and the perfect effect would save you 25% energy and effectively improve the temperature on the Ground. Eliminate cold and hot stratification, the energy conversation in winter becomes more considerable.



Fresh People

The natural breeze produced by large energy-saving fans will blow to human body and prompt the evaporation of sweat to take heat away, and then cool human body and bring the feeling of cooling. In general, the temperature decrease can reach as much as 5-8 °C. The industrial energy saving fan could comfort and bring the three dimensional natural breeze because of the following reasons: on the one hand, the all dimensional wind blow to the human body could enlarge the evaporation area of the human body. On the other hand, the variation to the speed of the wind could bring the close feeling of nature and the human body would feel cool and comfortable.

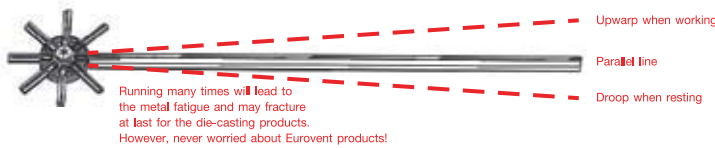
Remove Moisture

Large energy saving fans will solve the problem and being direct and effective is its advantage. It will prompt the air in the whole space mix together and blow away the smelly smoke. The moisture will be dispersed and absorbed effectively and the air quality in the indoors will be improved, which will result in a healthy, dry and safe working environment. The other advantages are eliminating birds and bugs, preventing from the noisy brought by other ventilation solutions and corruption resulted by moisture.



1. Special type Airfoil Blades™

High strength magnalium alloy with fluorincarbon baking varnish surface treatment and aerodynamics blades profile. Eurovent Airfoil Blades™ streamlined blades™ supporting structure inside the blades can enhance the strength. oil Blades™



2. Framework support heat dissipation

The unique EUROVENT stents™ framework design : EUROVENT adopts the brand-new frame made by laser cutting and bending.

1. Avoid the fracture hidden danger caused by the column's internal rust after long time.
2. Protect the motor and ensure its fully heat emission at the same time, also extend the lifetime of the power system.
3. Enhance the strength and reduce the weight.



3. Super strong power performance

Through strict test, Eurovent adopts the world famous German LENZE motor whose protection level is IP55 to make sure its motive quality of the first level in the world. The noise is less than 40dB and no faulting record for long time operation as well as free of maintenance. Also, it passed CCC and CE certification.



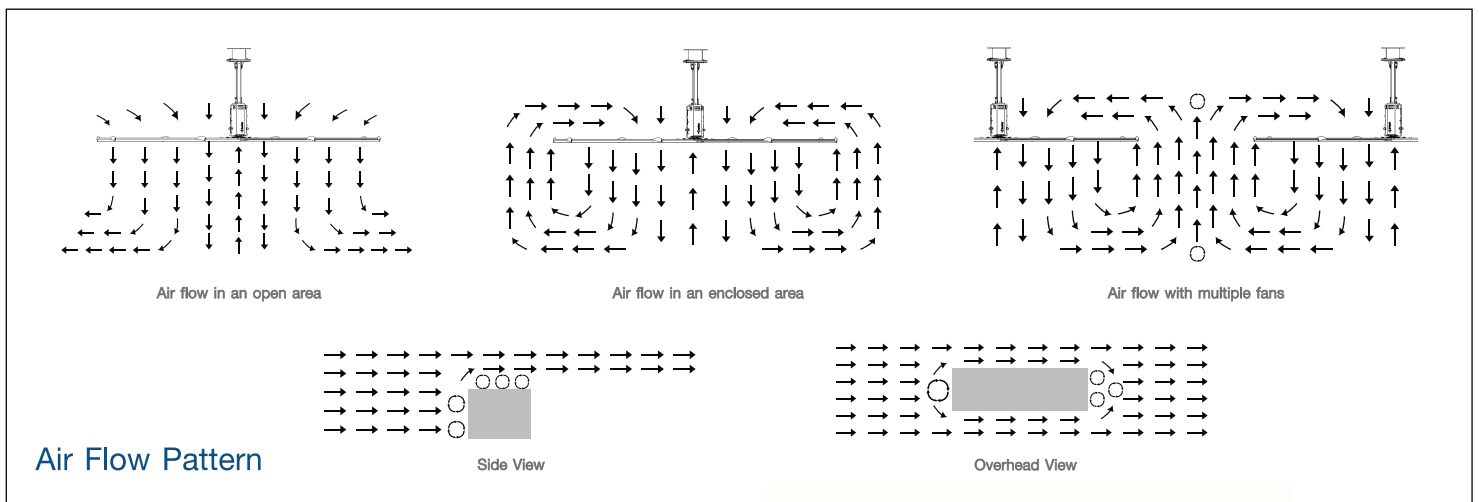
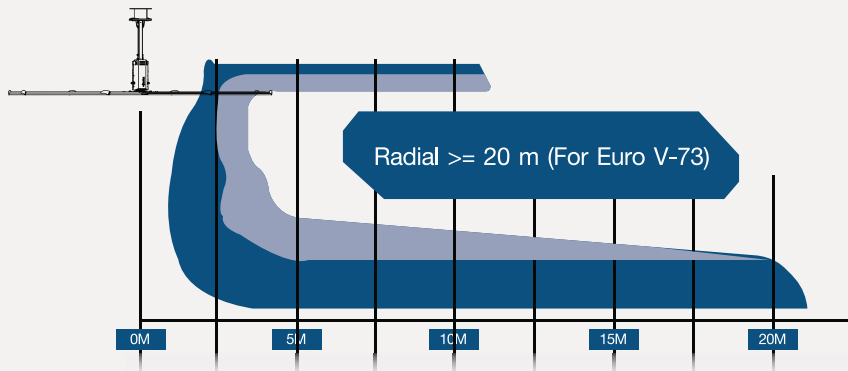
4. High strength magnalium hub

EUROVENTFANS makes the high performance metal hub with the most advanced CNC cutting techniques. Compare with the low pressure casting technique, it can not only ensure the dynamic balance when it running but also make the lifetime ten times than the casting one. The most important is it won't fracture which caused by metal fatigue like casting ones . Safety is the most one we care about!!!

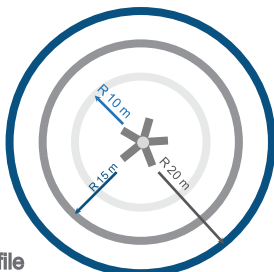


After experiencing the huge cover areas of ultra-large fans, our customers invariably praise that, "Since the rotate speed and power of the fan is so low, how amazing it is able to cover such a large area!"

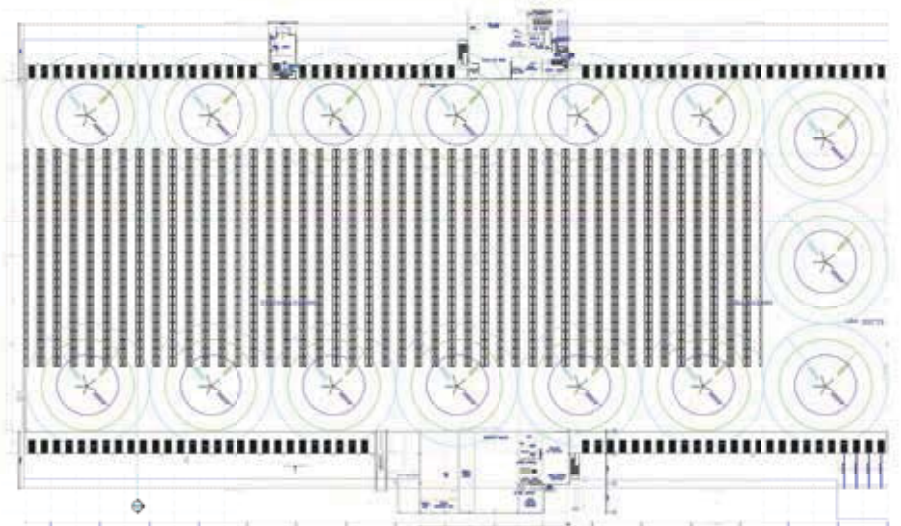
The reason why large energy conservation fans can cover such a large area is depended on the EUROVENT FANS' unique streamline blade design, which can minimize the resistance to the least and effectively transfer electrical energy to air kinetic energy. Besides that, the air flow structure of fans is different with that of common small fans. Small fans can only cover the area within the diameter of fans, while large energy saving fans vertically push airflow to the ground firstly, and then airflow with the height of 1-3 meters is formed above the ground. Finally an ultra-large cover area is formed below ultra-large energy conversation fans. In an open area, a fan can even cover an area as large as 500 m², 1000 m², 1250 m², 1400 m².



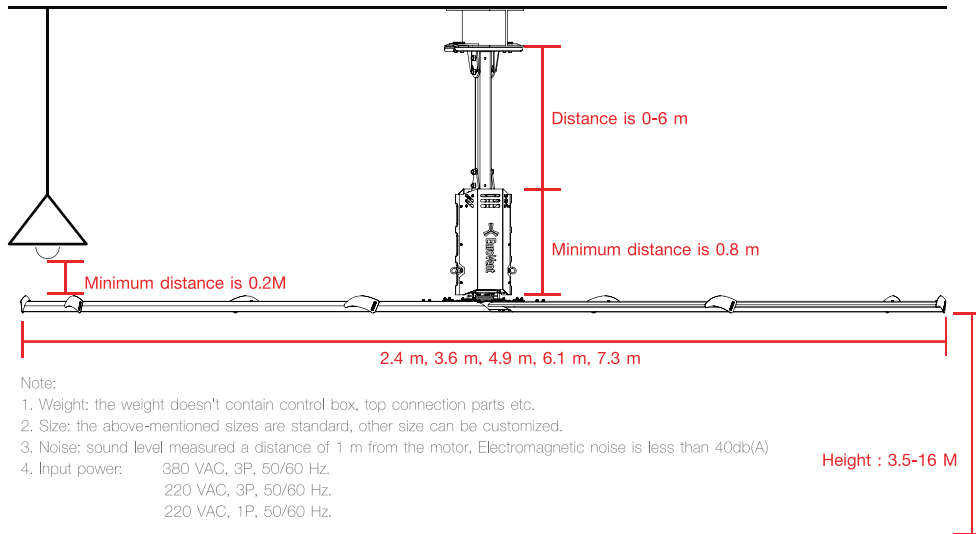
Model	Minimum Cover Area (m ²)
Euro V-24	350
Euro V-36	500
Euro V-49	1,000
Euro V-61	1,250
Euro V-73	1,400



Euro V-73 Profile



Fan Layout Design



Model	Euro-V24	Euro-V36	Euro-V49	Euro-V61	Euro-V73
Fan Diameter	8ft (2.4m)	12ft (3. m)	16ft (4.9m)	20ft (6.1m)	24ft (7.3m)
Air disp.@Max speed	9300m ³ / min	10350m ³ / min	11250m ³ / min	12150m ³ / min	13050m ³ / min
Maximum speed	21 - 105 RPM	21 - 95 RPM	21 - 62 RPM	21 - 57 RPM	21 - 51 RPM
Fan weight	50 kg	65 kg	80 kg	105 kg	120 kg
Motor size	1.1 Kw	1.1 Kw	1.1 Kw	1.5 Kw	1.5 Kw
Full load amps	2.4 Amps/380V 4.2 Amps/220V	2.4 Amps/380V 4.2 Amps/220V	2.4 Amps/380V 4.2 Amps/220V	3.5 Amps/380V 5.7 Amps/220V	3.5 Amps/380V 5.7 Amps/220V
Static load / Dynamic Load (main point)	15Kg/13Kg	17.5Kg/14Kg	22Kg/20Kg	26.5Kg/22Kg	30Kg/26Kg
Static load / Dynamic Load (four ponit for tension wire)	22Kg/20Kg	28Kg/25Kg	34Kg/31Kg	38Kg/33Kg	43Kg/40Kg

1. Inverter control system



Schneider or Delta inverter Scientific and professional lectotype . The first standard 2.2KW lectotype in the industry, the operating power is unchanged and 15KHZ carrier frequency is guaranteed. Besides that, the quality of current is greatly improved, which make the electrical machine has low noisy and long service life.

2. Easy operation, Human Interface

The products have easy operation and human interface widely accepted. The unique safety light will prevent from wrong operation and protect electrical appliances.

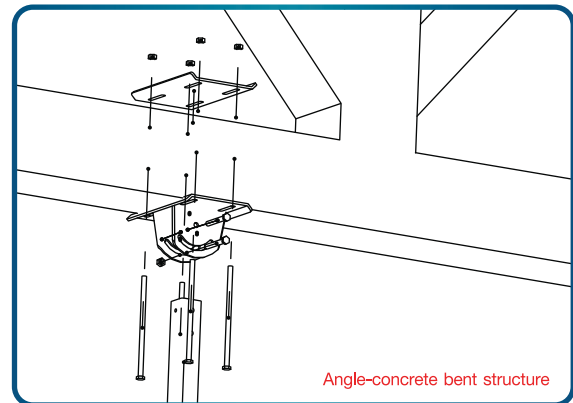
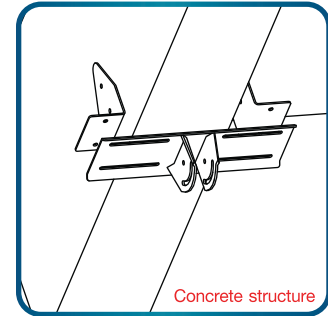
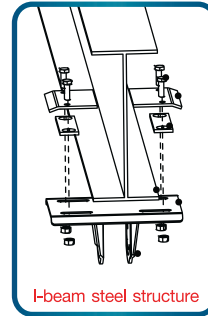
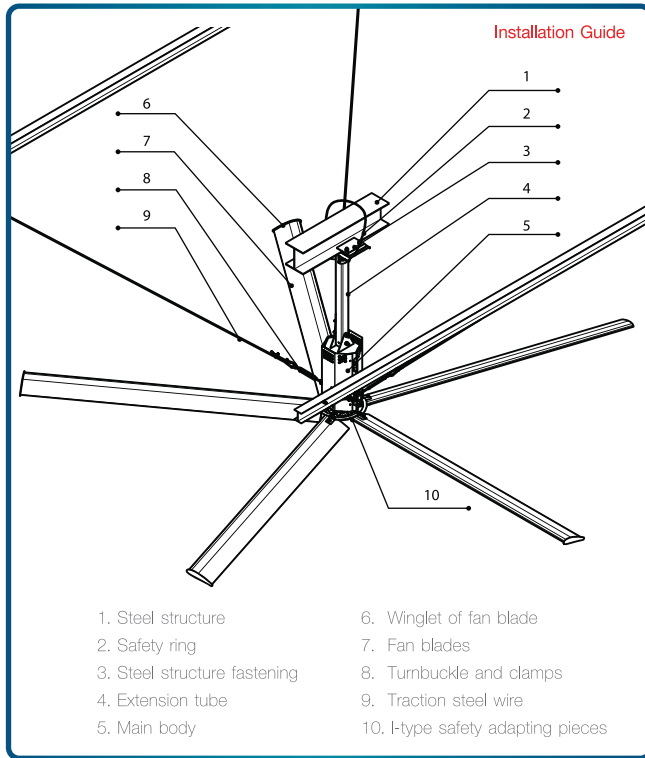


3. Top electrical appliance configuration

Eurovent FANS firstly take the application of international famous brand Schneider electrical appliance set in the industry. The top integrated electrical configuration in the industry, which protect the electrical appliance and safety.



Installation Guide



Safety Performance

The safety precautions when accidents happen:

1. **Wire traction:** the stress strength of each wire cable can achieve 1000KG, double protection will be set
2. **Safety Ring:** when accidents happen, the safety ring will play the role of protection and prevent any parts from dropping.
3. **Blade L and Y safety clip:** reconnect all blades and chassis and form integral structure.
4. **Fastener:** All fasteners are using high strength industrial bolts(12.9 grade), the real stress is as much as 10 times for every connections.
and All the screws are fastened with Loctite anaerobic adhesive and never loose and drop
5. When accidents happen, the frequency conversion system will alarm itself and stop running.



Main Application

Factory

Department Store

Convention Hall

Warehouse

Food Court

WorkShop

Hotel Lobby

Gymnasium

Airport

Hospital

Bus station

University

Showroom

Sport Stadium

Exhibition Hall

Garage

Animal Farm

Community Mall

Waiting Lobby

Concert Hall



Contact :

ESMAC ASIA CO.,LTD.

29 moo 8 Soi Viroonraj Settakij Rd. Thamai
Kratumban Samutsakorn 74110 Thailand
www.esmacasia.com

E-mail : support@esmacasia.com

Tel : +662-107-1099 +662-107-1089

Fax : +662-107-1088 +663-486-6599

Service Call : +668-5252-6767 +668-4438-4450